

Welcome to the smiling world of SOREDEX™

**CRANEX™
3Dx**

**Easy imaging for
expanded vision**

 **SOREDEX**

soredex.com



Benefits at a glance

CRANEX™ 3Dx combines top performance, ease of use and value

CRANEX™ 3Dx has 5 fields-of-view for accurate 3D imaging from single tooth to entire maxillofacial region.

Clinics can benefit from the top performance of CRANEX™ 3Dx with excellent panoramic and cephalometric imaging, as well as advanced 3D imaging supporting multiple application areas.

Clinics with dynamic 3-in-1 point-of-care imaging can provide faster treatment paths and flexible workflows with high diagnostic accuracy.

CRANEX™ 3Dx provides extremely easy and fast imaging with fresh ClearTouch™ Control panel, free FOV positioning with EasyScout™ and AES hybrid – combined Automatic Exposure Setting in panoramic, cephalometric imaging, as well as in 3D – a world first.



Dynamic 3-in-1

Clinics offering multiple treatments may also face a variety of diagnostic challenges in their daily work. These clinics benefit most from the CRANEX™ 3Dx solution:

- Multi-specialty dental clinics; implant, perio, endo, general dentistry
- Imaging centres and radiology centres
- Oral and maxillofacial radiology departments
- Oral surgeries; trauma, plastic surgery, orthodontics
- Orthodontic treatment facilities
- Hospitals

A solution to multiple diagnostics tasks:

- Panoramic and cephalometric examinations
- Dental implant planning and follow-up
- Endodontics
- Wisdom teeth
- Impacted teeth
- Temporo-Mandibular-Joint (TMJ) studies
- Oral surgery
- Airway studies
- Sinuses
- ENT (*)
- Cervical spine studies
- Temporal bone studies
- Cysts and tumors
- Trauma

(*Countries approving CE marking, Not in US, Canada)



Panoramic imaging

CRANEX™ 3Dx has a RealPAN™ dedicated panoramic CMOS sensor enabling full panoramic image size and accuracy in each panoramic program. This can be seen as a perfect and clear image.

CRANEX™ 3Dx has AES - automatic exposure setting function adjusting dose based on individual patient size reducing radiation with children and small patients.

The SOREDEX™ famous patient positioning system enables fast and accurate patient positioning with:

- Rigid 5-point positioning system
- Easily adjustable, self-locking temple supports
- Three laser lights for accurate positioning
- Large, hinged mirror



Adult panoramic



Child panoramic



Bitewing program

Adult panoramic



Outstanding
image quality



Reduced Width Lateral Program



Posterior Anterior Program

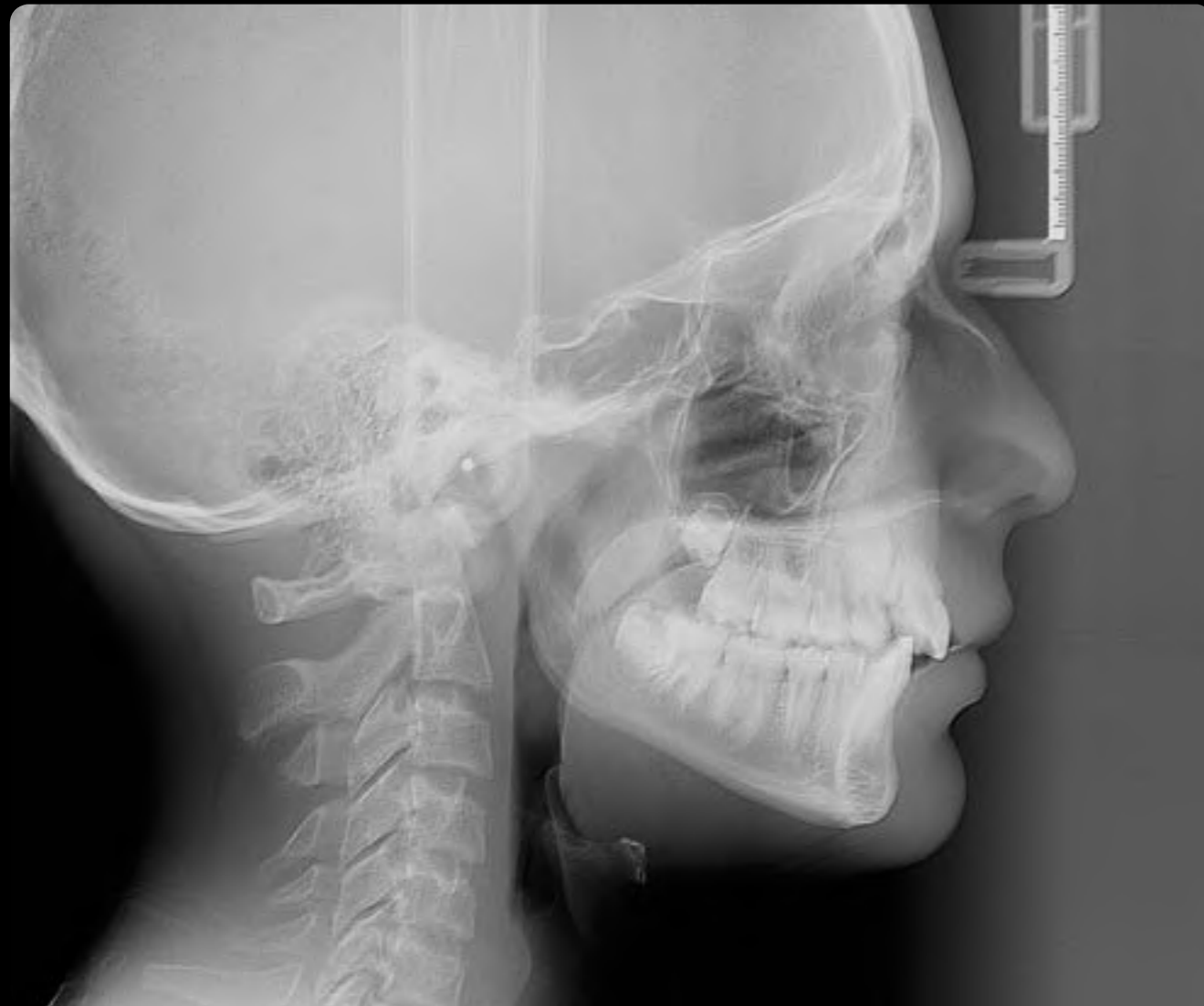


Carpus Program

(Not available in US and Canada). Carpus Program requires a carpus holder (separate option)

Visualization with clarity

Full Width Lateral Program



Cephalometric imaging

For orthodontic treatments, CRANEX™ 3Dx provides superior image quality with the latest CMOS sensor technology and fast workflow.

CRANEX™ 3Dx provides many functions to reduce radiation for children. Automatic soft tissue adjustment in cephalometric images visualizes facial profiles with improved clarity and reduces doses. Panoramic images have autocollimated programs with lower doses and faster imaging time.

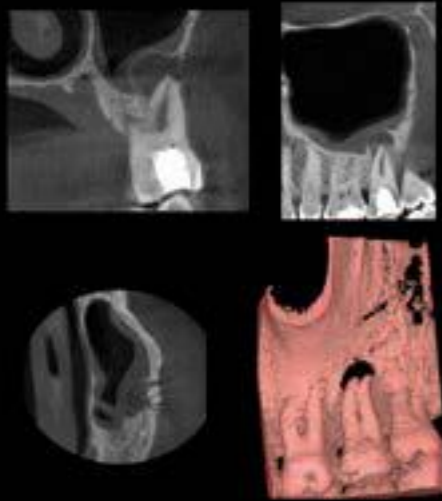
AES in orthodontics treatment reduces imaging values with children and helps optimize patient doses – AES hybrid functions in panoramic and cephalometric imaging and 3D.

In 3D imaging, all FOV sizes have Minidose™ programs that can be used with orthodontic treatments to reduce doses.

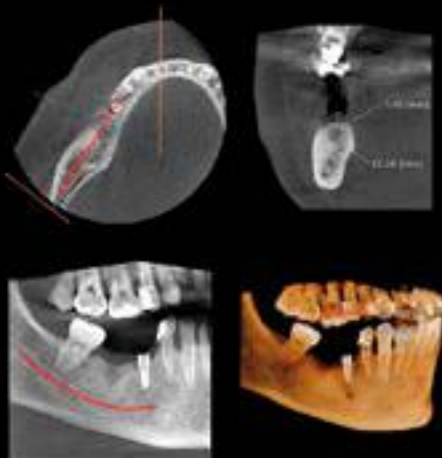
The SOREDEX™ patient positioning system includes stable head support, exact geometry and lateral image calibration in each image. In cephalometric imaging the correct head position can be confirmed with Frankfort Horizontal light.

3D imaging

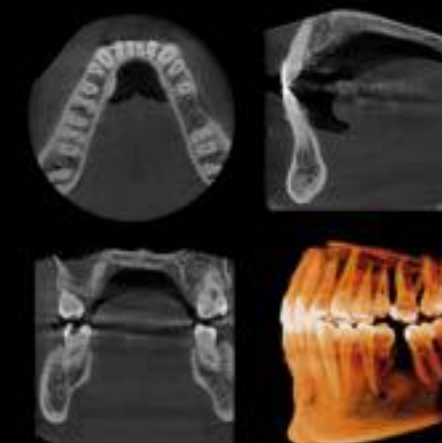
Small FOV 5×5 cm



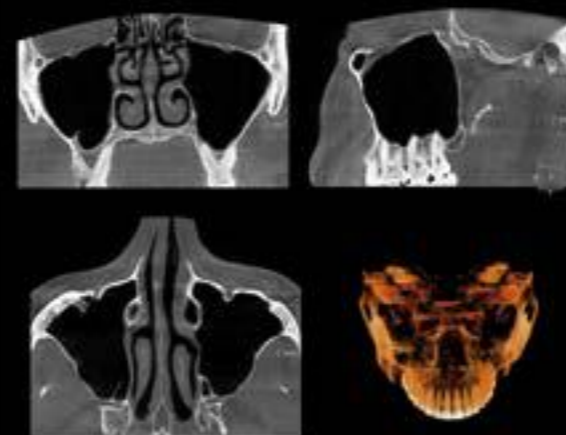
Midi FOV 6×8 cm



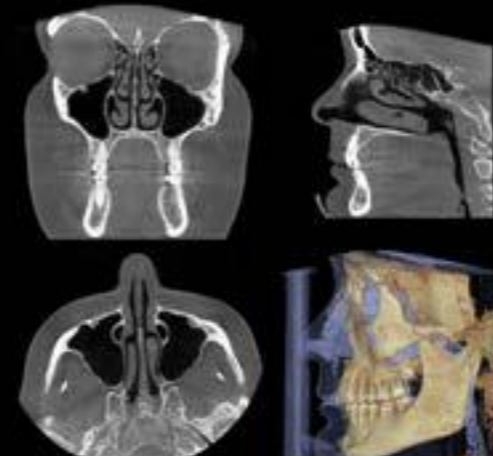
Medium FOV 8×8 cm



Large FOV 8×15 cm



XL FOV 13×15 cm



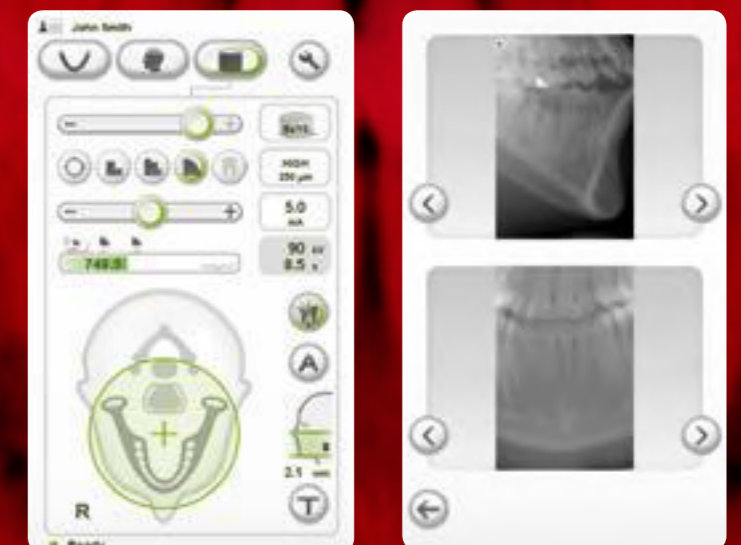
Diagnostic challenges met with ease

- Free FOV positioning: PickPoint™ and EasyScout™
- AES Hybrid – Automatic Exposure Setting in pan, ceph and 3D
- Fresh ClearTouch™ Control Panel
- SARA™ (Soredex Advance Reconstruction Algorithm)
- SMAR™ (Soredex Metal Artifact Reduction)
- Open software architecture with DICOM and PACS compatibility

The starting configuration includes 5x5, 6x8 and 8x8, which can be enlarged with 8x15 and 13x15 FOVs.

The CRANEX™ 3Dx system can be easily integrated with leading navigated surgery and drill guide systems having comprehensive DICOM/PACS compatibility.

Making imaging easy



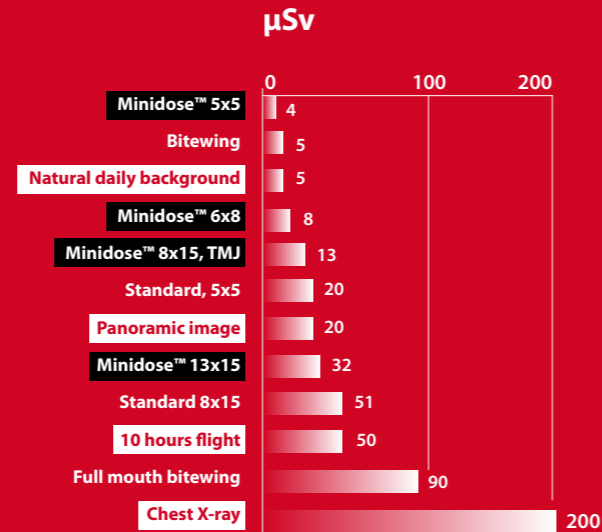
Minidose™

The SOREDEX™ Minidose™ solution (MDS) provides fast low dose imaging for CRANEX™ 3Dx.

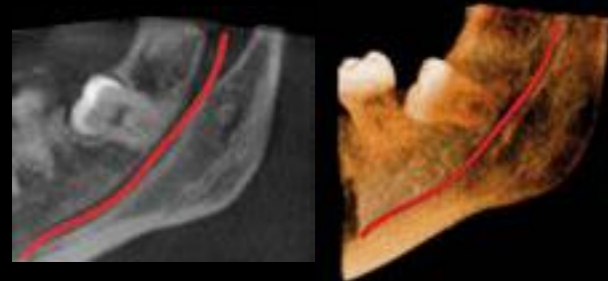
The SOREDEX™ Minidose™ solution (MDS) is a 3D imaging program with low radiation doses and good image quality thanks to SARA™ technology.

Minidose™ can be used with multiple clinical tasks when dose sensitivity is needed – implant planning and control, children, wisdom teeth, location of impacted teeth, general follow-up and nose bone fractures.

The SOREDEX™ WiseDose™ scaler visualizes relative dose for each program settings. It guides to use optimal dose settings especially in 3D with Dose Care Control assistance.

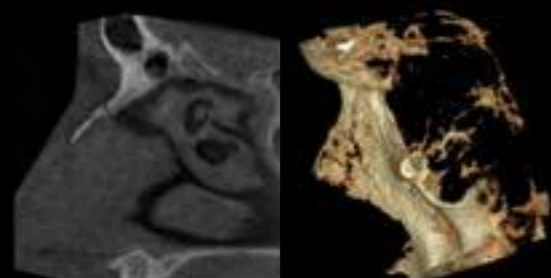


Small FOV 5 × 5 cm Minidose™

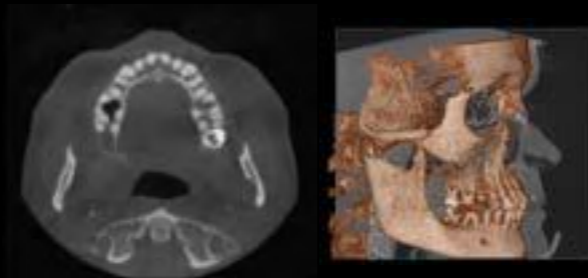


Minidose™ 5 × 5 1/5 Panoramic image

Medium FOV 8 × 8 cm Minidose™



XL FOV 13 × 15 cm Minidose™



*Dose study, Ludlow 2014

Panoramic imaging

Sensor type	CMOS
Detector pixel size	100 μm
Active area height	5.8"/148 mm/1480 pixels
Resolution	spatial 6.5 lp/mm, image 5 lp/mm
Scanning time	8-16 s

Imaging programs

Adult panoramic, child panoramic, bitewing, sectional, TMJ lateral, TMJ/PA and sinus

Cephalometric imaging

Sensor type	CMOS
Detector pixel size	100 μm
Active area height	223,2 mm/2232 pixels
Image field width in lateral view	10.2"/260 mm, max 6.7"/170 mm, min
Resolution	spatial 6.5 lp/mm, image 4 lp/mm
Scanning time	6-20 s

Imaging programs

Full width and child lateral, PA/AP and carpus projection (*
(* Not available in US)

3D imaging

Sensor type	CMOS Flat Panel
Projections	234 - 900 slices
Voxel resolutions (μm)	85,125, 200, 250, 280, 300, 320, 350, 380, 400, 420

Small FOV	std	50 x 50 mm
Midi FOV	std	61 x 78 mm
Medium FOV	std	78 x 78 mm
L FOV	option	78 x 150 mm
XL FOV	option	130 x 150 mm
Scanning time		10-40 s
Exposure time (pulsed)		1-9 s

Configuration options

3D + Panoramic (ceph upgradable)
3D + Panoramic + Ceph (left/right)

File format	16 bit PNG
PAN	2-4 MB
Ceph	3-5 MB
3D	25-300 MB

X-ray generator

Generator	High frequency DC generator
Focal spot	0.5mm
Minimum total filtration	3.2 mm Al
Anode voltage	57-90 kV
Anode current	4-16 mA

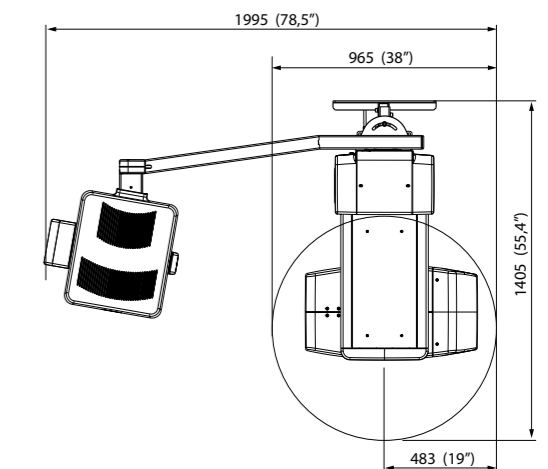
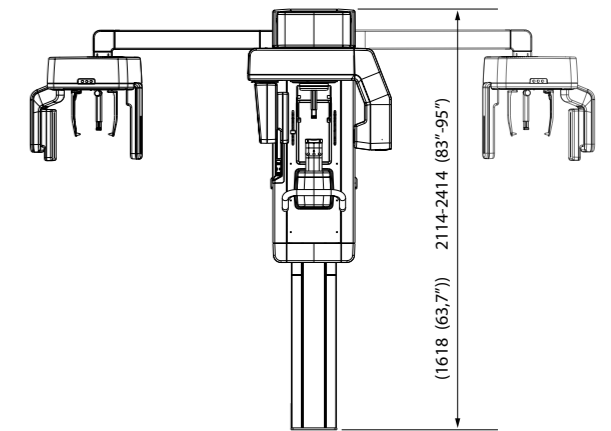
General

Weight	200 kg (440 lbs)
Weight with Ceph	250 kg (551 lbs)
Dimensions (HxWxD)	2414 x 965 x 1405 mm
Dimensions with Ceph	2414 x 1995 x 1405 mm

Power requirements

Line voltage	220-240V / 100-120V (50/60Hz)
Warranty	2 years

Technical data



SCANORA™ SW with 3D viewing and diagnostic software offers a comprehensive set of imaging tools to assist you with your daily imaging needs. Flexible software options include standard single-user and optional network multi-user versions.

Optional DICOM services integrate CRANEX™ 3Dx seamlessly into a PACS/DICOM environment. SOREDEX™ TWAIN connects CRANEX™ 3Dx with 3rd party software supporting the TWAIN standard.

In addition to SOREDEX™ software, CRANEX™ 3Dx can be integrated with many practice management and 3rd party imaging software.

The CRANEX™ 3Dx system can be easily integrated with leading navigated surgery and drill guide systems having comprehensive DICOM/PACS compatibility.

It should be noted that CBCT images are not adequate for stn analysis of soft tissue.

Welcome to the smiling world of SOREDEX™

CRANEX™ 3Dx

Head office and factory:

Soredex

Nahkelantie 160, Tuusula
FI-04300 Tuusula
Finland
Tel. +358 10 270 2000
Fax +358 9 701 5263
info@soredex.com

Soredex

11727 Fruehauf Drive
Charlotte, NC 28273
U.S.A
Tel. 800-558-6120
Fax. 877-292-6050
Email: KKG.Imaging.CS@kavokerrgroup.com

Soredex Germany

Schutterstrasse 12
77746 Schutterwald
Germany
Tel: +49 (0) 781 28 41 98-0
Fax: +49 (0) 781 28 41 98-30
kontakt@soredex.de

Digital imaging
made easy™

Soredex designs, manufactures and markets easy to use and innovative imaging solutions for dental and maxillofacial professionals. SOREDEX™ portfolio covers wide range of applications from intraoral, panoramic, cephalometric extending to large field-of-view cone beam CT for demanding ENT and CMF diagnostics. Close co-operation with imaging professionals give us deep insight of how to incorporate true diagnostic value to clinical work.

Our products are known for reliability, simplified workflow and excellent image quality. We are committed to fulfill these promises today and in the future.

SOREDEX™/CRANEX™/SCANORA™/EasyScout™/ClearTouch™/RealPAN™/PickPoint™/WiseDose™/Minidose™/SARA™/SMAR™/Digital imaging made easy™ is registered trademark or trademark of Soredex in the United States and/or other countries. Other product names and trademarks are the property of their respective owners. CE-marked, NB (CE) number 0537. Electrical safety meets the IEC 60601-1 standard. Manufacturing complies with ISO 13485:2003, ISO 9001:2008 and ISO 14001:2004.

Soredex reserves the right to make changes in specifications and features shown herein at any time without notice or obligation. Contact your Soredex representative for the most up-to-date information.

© 2015 Soredex

www.soredex.com • www.soredex.de • www.soredex.com/usa

211054-3 10/15 Printed in Finland

 **SOREDEX**