

Welcome to the smiling world of SOREDEX™

CRANEX™ D

**When fast workflow
is of essence**

 **SOREDEX**

soredex.com



Benefits at a glance

Quality

- Excellent overall diagnostic image quality
- High Quality (HiQ) panoramic programs for optimized images
- Stable patient positioning for optimal image quality
- Reliability proven in thousands of installations

Ease of use

- Easy control panel for straightforward and fast operation
- Automated and optimized exposure settings
- Wide anterior layer thickness facilitate patient position even with patients with malocclusion

Flexibility

- Cephalometric option can be configured for both left- and right-handed
- Single or dual sensor design for optimal workflow
- Compatible with a wide variety of imaging software
- Small footprint saves office space



2D imaging in high volumes

CRANEX™ D is a modern high quality digital panoramic and cephalometric imaging system. Clear, precise and dynamic digital X-ray images, with stable, comfortable patient positioning, make your day-to-day diagnostics easy and accurate. The simple, hands-on design supports fluent workflow for excellent care.

CRANEX™ D is built for contemporary high-pace dental care, where reliability is key.



Optimized patient positioning

Optimal image quality can only be achieved if the patient is positioned correctly and is aided to remain stationary during the exposure. CRANEX™ D's three positioning lights, swivel mirror, control panel in the column for quick access and 5-point head support allow you to position the patient correctly.

The open design and unique column increase patient comfort and allow easy access for handicapped or wheelchair-bound patients.

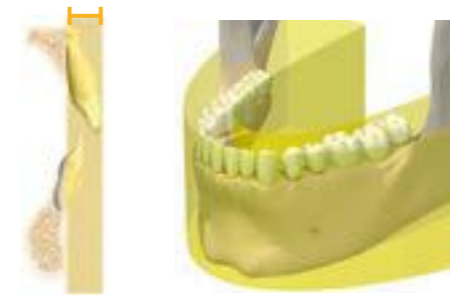
- Open design for accessibility
- Rigid 5-point head holder assembly
- Easily adjustable, self-locking temple supports
- Familiar three laser lights for accurate positioning
- Imaging in standing and sitting positions

The Automatic Exposure Setting (AES) speeds up imaging workflow by recommending proper exposure values based on the size of the patient's head. You may override the recommended values, if required, before the exposure.

Excellent image quality

The unique Variable Panoramic Collimator (VPC) is one of the keys to the outstanding panoramic image quality of CRANEX™ D. By narrowing the width of the collimator while imaging the anterior teeth, we are able to expand the focal trough by 50% compared to conventional fixed collimation. The advantage is superb anterior image quality regardless of the patient's dentition.

The VPC is patented technology by Soredex.



Typical panoramic system

Most panoramic systems have a narrow anterior layer thickness, which leads to difficulty in positioning all of a patient's dentition within the focal trough.



CRANEX™ D

CRANEX™ D anterior layer thickness is 50% wider than traditional techniques. The result is superb anterior image quality.



CRANEX™ D excellent signal-to-noise ratio, high resolution, wide dynamic range, wide anterior layer thickness and stable patient positioning provide superior image quality and more diagnostic value.

Imaging programs

With CRANEX™ D you can perform standard, child or sectional panoramic examinations as well as TMJ extraoral Bitewing and sinus imaging.



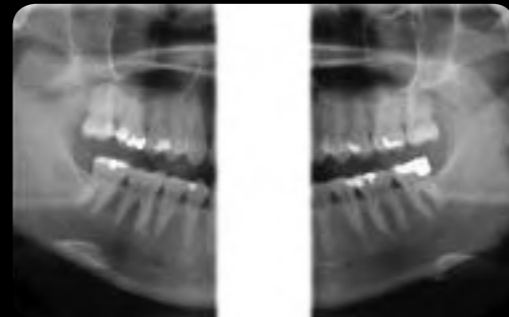
Adult panoramic

All panoramic programs include automatic spinal compensation for an excellent view of the anterior teeth without a distracting spinal shadow.



Child panoramic

A shorter exposure time and reduced exposure field lowers patient dose.



Extraoral Bitewing

Bitewing images can be taken from both sides or limited to right or left section.



Sectional Imaging

Any combination of 1 to 5 panoramic image sections can be selected. This reduces the patient radiation dose as only the region of interest is exposed.



Cephalometric

Lateral images can be taken with CRANEX™ D.



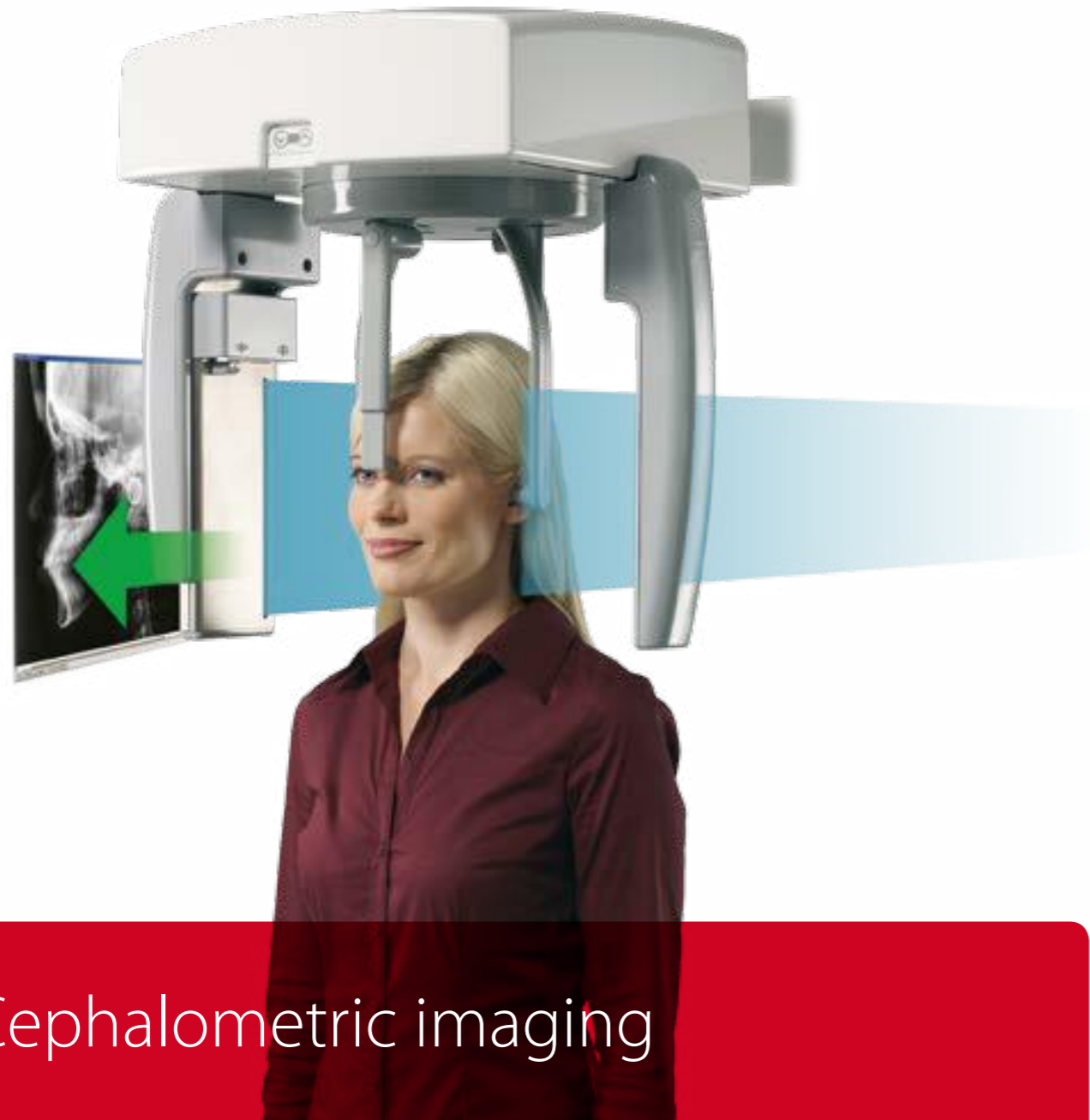
Cephalometric

PA images can be taken with CRANEX™ D.



Carpus

Optional Carpus imaging is also available with CRANEX™ D Ceph. (not in North America)



Cephalometric imaging

CRANEX™ D cephalometric option can be configured as either left-handed or right-handed for flexible installation. Soft tissue filtration is adjusted automatically for the best diagnostic quality possible. With the use of the patented AES function, exposure values are selected according to patient size.

Maximum flexibility

CRANEX™ D Ceph can be equipped as a single or dual sensor system for optimal workflow. Cephalometric capabilities can be added at any time to CRANEX™ D. This allows CRANEX™ D to grow along with your practice. CRANEX™ D panoramic unit is easily upgradeable to a left- or right-handed cephalometric unit in the field.



Head support in the lateral position.



Head support in the PA projection. The nasion support is rotated out of the way.



Cephalometric field sizes
 Full width: 22 x 26 cm (8.66" x 10.24")
 Reduced width: 22 x 18 cm (8.66" x 7.09")



Enhanced cephalometric imaging geometry

CRANEX™ D features advanced cephalometric imaging movements that provide a true central projection image. This results in non-distorted constant magnification in both the vertical and horizontal planes.

Technical data



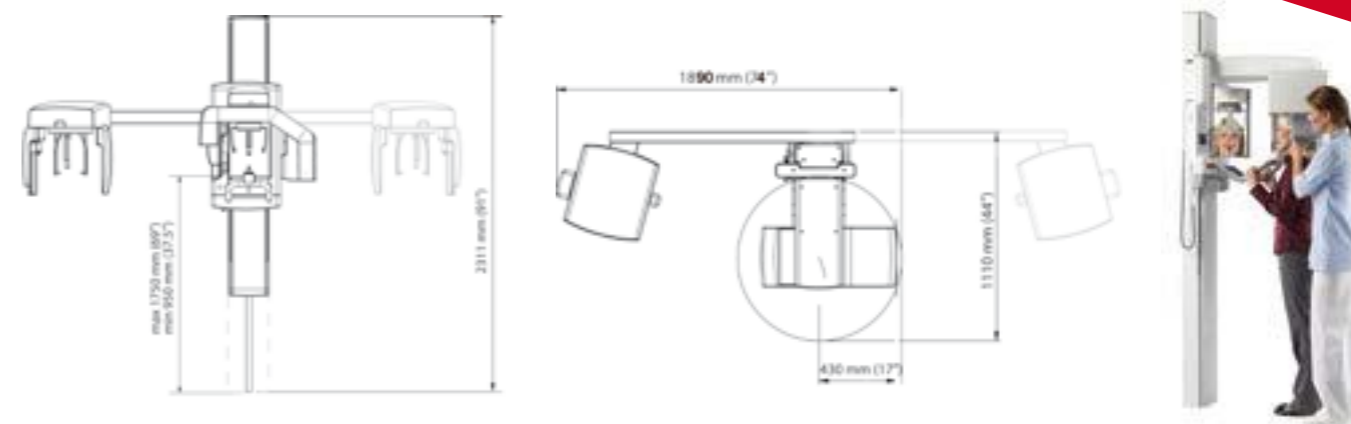
Easy workflow combined with diagnostic value

11 second fast scan – 17 second HiQ scan

Superb panoramic image quality can be achieved even with the fast panoramic programs. These programs are especially suitable for follow-up patients and in busy clinics.

Even better high quality images are achieved with High Quality (HiQ) panoramic programs designed for more challenging diagnostic tasks. Automatically optimized exposure values ensures patient specific and operation convenience.

Designed for people, CRANEX™ D combines imaging safety, reliability and simplified workflow enabling fast patient throughput.



General

Generator	High frequency DC generator, operating frequency 40 kHz
Focal spot size	0.5 mm
Minimum total filtration	2.7 mm Al
Line voltage	230/240 Vac ±10% / 115 Vac (50/60 HZ)
Anode voltage	57 - 85 kV
Anode current	10 mA
Exposure time	17.6 s High Quality panoramic, 11 s fast panoramic, 8 - 20 s cephalometric
SID	520 mm (20.47") panoramic, 1721 mm (67.75") cephalometric
Fusing	8 A / 16 A slow (230/115 Vac)
Weight	Pan 120 kg (264 lbs), Ceph 165 kg (363 lbs)
Electrical safety classification	EN 60601-1 class 1/B
Color	RAL 7040, RAL 9003

Digital Unit

Sensor	CCD-detector
Active sensor surface	PAN: 147.5 x 6.1 mm, CEPH: 221.2 x 6.1 mm
Pixel size sensor	48 µm
Pixel size image	96 µm
File size	PAN max: 9.5 MB, CEPH max: 11.5 MB

Workstation PC requirements*

Operating system	Windows 8/8.1, Windows 7, Windows Vista
------------------	---

* For full details on supported PC requirements, please contact your local distributor for the latest information.

CRANEX™ D is compatible with your choice of several software options.

- **SCANORA™ SW** provides a full range of imaging tools for viewing and planning. Network and DICOM licences are available.
- **DIGORA™ for Windows** offers a comprehensive set of imaging tools for your day-to-day imaging needs. Network multi-user versions and full DICOM support are available as options.
- **CliniView™ XV (US only)** offers the capability of capturing images from all of the digital treatment planning devices. It is geared to be used in operatories for quick and easy image capture, viewing and treatment planning.
- **SOREDEX™ TWAIN** utilizes the industry standard TWAIN interface to capture images directly into 3rd party imaging applications.
- **SorCom** provides a simple "DICOM bridge" for capturing images to a PACS/DICOM environment, where 3rd party DICOM imaging software is used for viewing images.

Welcome to the smiling world of SOREDEX™

CRANEX™ D

Head office and factory:

Soredex

Nahkelantie 160, Tuusula
FI-04300 Tuusula
Finland
Tel. +358 10 270 2000
Fax +358 9 701 5263
info@soredex.com

Soredex

11727 Fruehauf Drive
Charlotte, NC 28273
U.S.A
Tel. 800-558-6120
Fax. 877-292-6050
Email: KKG.Imaging.CS@kavokerrgroup.com

Soredex Germany

Schutterstrasse 12
77746 Schutterwald
Germany
Tel: +49 (0) 781 28 41 98-0
Fax: +49 (0) 781 28 41 98-30
kontakt@soredex.de

Digital imaging
made easy™

Soredex designs, manufactures and markets easy to use and innovative imaging solutions for dental and maxillofacial professionals. SOREDEX™ portfolio covers wide range of applications from intraoral, panoramic, cephalometric extending to large field-of-view cone beam CT for demanding ENT and CMF diagnostics. Close co-operation with imaging professionals give us deep insight of how to incorporate true diagnostic value to clinical work.

Our products are known for reliability, simplified workflow and excellent image quality. We are committed to fulfill these promises today and in the future.

SOREDEX™/CRANEX™/DIGORA™/SCANORA™/ Digital imaging made easy™ is registered trademark or trademark of Soredex in the United States and/or other countries. Other product names and trademarks are the property of their respective owners. CE-marked, NB (CE) number 0537. Electrical safety meets the IEC 60601-1 standard. Manufacturing complies with ISO 13485:2003, ISO 9001:2008 and ISO 14001:2004.

Soredex reserves the right to make changes in specifications and features shown herein at any time without notice or obligation. Contact your Soredex representative for the most up-to-date information.

© 2015 Soredex

www.soredex.com • www.soredex.de • www.soredex.com/usa

204240-6 10/15 Printed in Finland

 **SOREDEX**